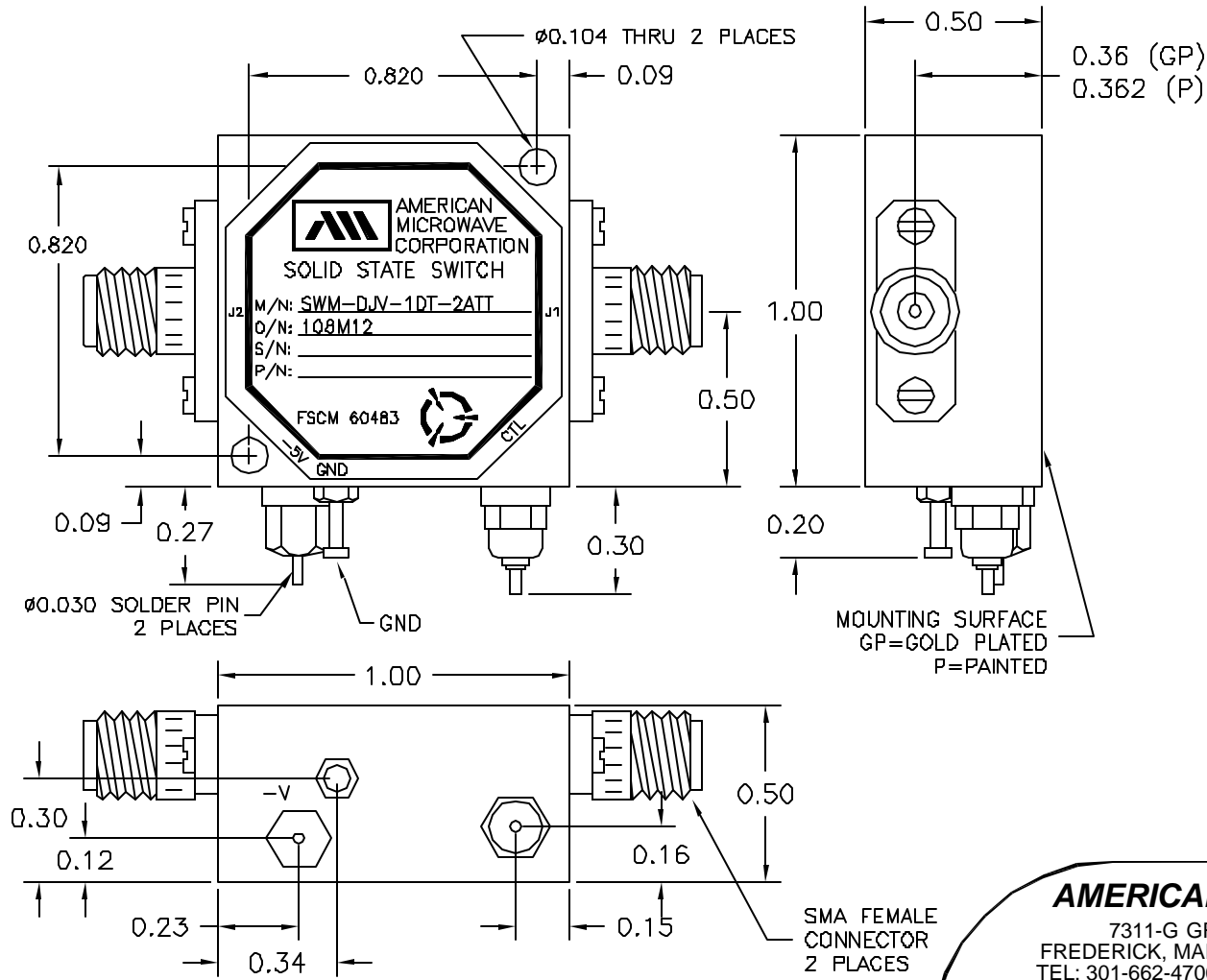


# DESCRIPTION

AMC MODEL SWM-DJV-1DT-2ATT OPTION: 108M12 IS AN ABSORPTIVE/NON-REFLECTIVE SINGLE POLE SINGLE THROW SWITCH MODULE WITH VERY LOW VIDEO TRANSIENTS, ULTRA HIGH SPEED, HIGH ISOLATION AND WITH INTEGRAL TTL DRIVER DESIGNED TO OPERATE BETWEEN THE 1.8 TO 12 GHz FREQUENCY RANGE.

REVISIONS				
ZONE	REV.	DESCRIPTION	DATE	APPROVED
	-	ORIGINAL RELEASE JOB# 511250N	12/09/05	



# MECHANICAL OUTLINE

MOUNTING SURFACE  
GP=GOLD PLATED  
P=PAINTED

SMA FEMALE CONNECTOR  
2 PLACES

## AMERICAN MICROWAVE CORPORATION

7311-G GROVE ROAD  
FREDERICK, MARYLAND 21704 USA  
TEL: 301-662-4700 FAX: 301-662-4938  
WEBSITE: [www.americanmicrowavecorp.com](http://www.americanmicrowavecorp.com)  
E-MAIL: [sales@americanmicrowavecorp.com](mailto:sales@americanmicrowavecorp.com)  
ISO 9001:2000 CERTIFIED



ALL DIMENSIONS ARE IN INCHES  
TOLERANCES:  
X.XX ±0.020  
X.XXX ±0.010

APPROVALS		DATE	TITLE		
DRAWN	<i>FDS</i>	12/9/05	MECHANICAL OUTLINE SWM-DJV-1DT-2ATT OPTION: 108M12 1.8-12 GHz, SINGLE POLE SINGLE THROW SWITCH		
CHECKED			SIZE	FSCM NO.	DWG NO.
ISSUED			A	60483	100-7563
			SCALE	N:S	SHEET 2 OF 4

## DESCRIPTION

AMC MODEL SWM-DJV-1DT-2ATT OPTION: 108M12 IS AN ABSORPTIVE/NON-REFLECTIVE SINGLE POLE SINGLE THROW SWITCH MODULE WITH VERY LOW VIDEO TRANSIENTS, ULTRA HIGH SPEED, HIGH ISOLATION AND WITH INTEGRAL TTL DRIVER DESIGNED TO OPERATE BETWEEN THE 1.8 TO 12 GHz FREQUENCY RANGE.

## SPECIFICATIONS

- FREQUENCY RANGE: .....1.2 TO 12 GHz
- INSERTION LOSS: .....4.5 dB MAXIMUM
- ISOLATION: .....60 dB MINIMUM
- VSWR: .....IN/OUT: 2.0:1  
OUT/OFF: 2.0:1
- RISE TIME: .....2 nSec MAXIMUM
- FALL TIME: .....2 nSec MAXIMUM
- DELAY ON: .....15 nSec MAXIMUM
- DELAY OFF: .....15 nSec MAXIMUM
- VIDEO TRANSIENT: .....20 mV P-P @ 300 MHz BANDWIDTH  
4 mV P-P @ 20 MHz BANDWIDTH
- POWER INPUT: .....(CW)+20 dBm (STANDARD)
- SURVIVAL POWER: .....1 WATT CW, 10 WATTS PEAK 1 uSec
- CONTROL: .....TTL LOGIC "0" = ON  
TTL LOGIC "1" = OFF
- POWER SUPPLY: .....-5V @ 25 mA MAXIMUM
- CONNECTORS:
  - RF: .....SMA FEMALE
  - CONTROL: .....SOLDER PIN
- SIZE: .....1.00" (L) x 1.00" (W) x 0.50" (H)
- WEIGHT: .....1.5 OUNCE TYPICAL

## OPTIONS:

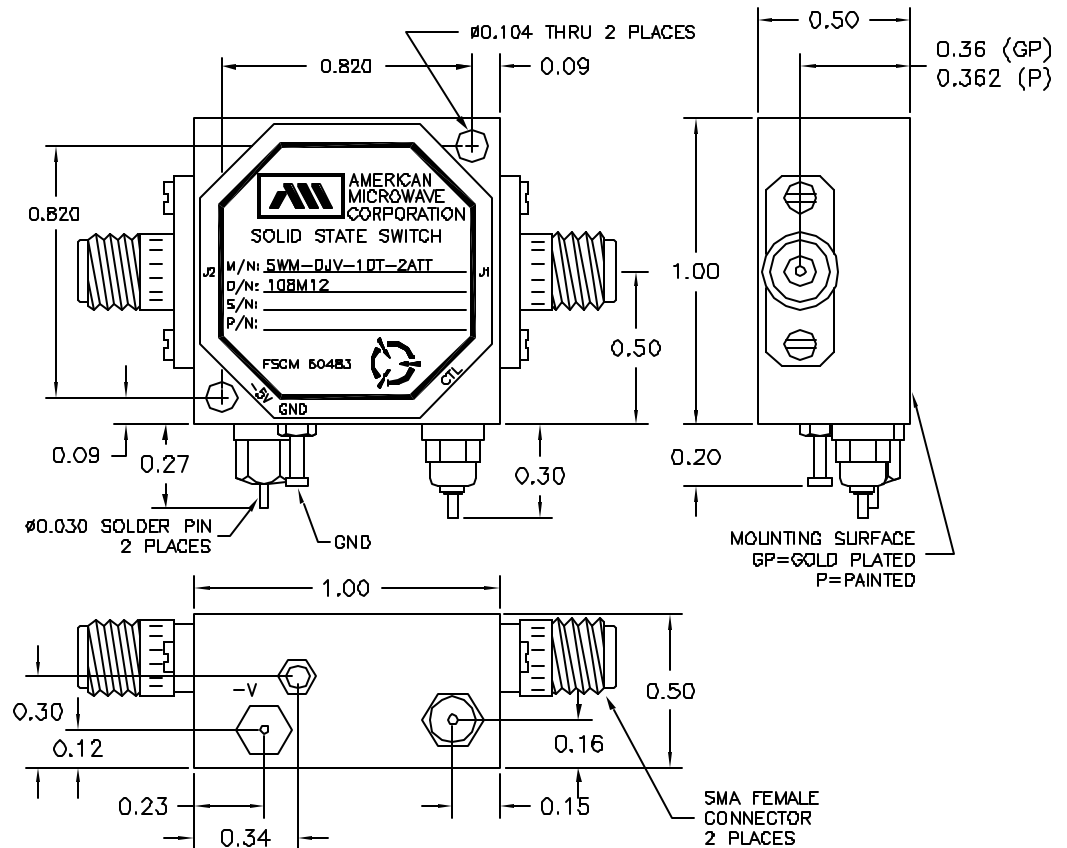
- 108M12: .....1.8 TO 12 GHz FREQUENCY RANGE

## ENVIRONMENTAL RATINGS:

- TEMPERATURE: .....-55°C TO +85°C (OPERATING)  
-65°C TO +125°C (STORAGE)
- HUMIDITY: .....MIL-STD-202F, METHOD 103B COND. B
- SHOCK: .....MIL-STD-202F, METHOD 213B COND. B
- VIBRATION: .....MIL-STD-202F, METHOD 204D COND. B
- ALTITUDE: .....MIL-STD-202F, METHOD 105C COND. B
- TEMPERATURE CYCLE: .....MIL-STD-202F, METHOD 107D COND. A

NOTE: SPECIFICATIONS WILL VARY OVER OPERATING TEMPERATURE  
NOTE: THE ABOVE SPECIFICATIONS ARE SUBJECT TO CHANGE OR REVISION

REVISIONS				
ZONE	REV.	DESCRIPTION	DATE	APPROVED
	-	ORIGINAL RELEASE JOB# 511250N	12/09/05	



ALL DIMENSIONS ARE IN INCHES  
TOLERANCES:  
XXX ±0.020  
XXX ±0.010

## AMERICAN MICROWAVE CORPORATION

7311-G GROVE ROAD  
FREDERICK, MARYLAND 21704 USA  
TEL: 301-662-4700 FAX: 301-662-4938  
WEBSITE: [www.americanmicrowavcorp.com](http://www.americanmicrowavcorp.com)  
E-MAIL: [sales@americanmicrowavcorp.com](mailto:sales@americanmicrowavcorp.com)  
ISO 9001:2000 CERTIFIED



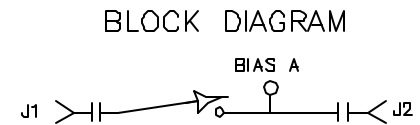
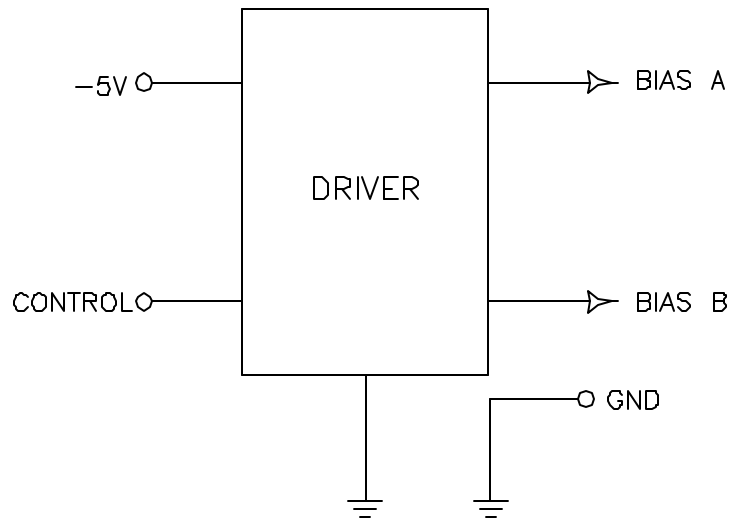
APPROVALS		DATE	TITLE		REV.
DRAWN	<i>FDJ</i>	12/9/05	PRODUCT FEATURE SWM-DJV-1DT-2ATT OPTION: 108M12		-
CHECKED			SIZE	FSCM NO.	DWG NO.
ISSUED			A	60483	100-7563
			SCALE	SHEET 1 OF 4	

**DESCRIPTION**

AMC MODEL SWM-DJV-1DT-2ATT OPTION: 108M12 IS AN ABSORPTIVE/NON-REFLECTIVE SINGLE POLE SINGLE THROW SWITCH MODULE WITH VERY LOW VIDEO TRANSIENTS, ULTRA HIGH SPEED, HIGH ISOLATION AND WITH INTEGRAL TTL DRIVER DESIGNED TO OPERATE BETWEEN THE 1.8 TO 12 GHz FREQUENCY RANGE.

REVISIONS				
ZONE	REV.	DESCRIPTION	DATE	APPROVED
	-	ORIGINAL RELEASE JOB# 511250N	12/09/05	

**FUNCTIONAL BLOCK DIAGRAM**



**AMERICAN MICROWAVE CORPORATION**

7311-G GROVE ROAD  
 FREDERICK, MARYLAND 21704 USA  
 TEL: 301-662-4700 FAX: 301-662-4938  
 WEBSITE: [www.americanmicrowavecorp.com](http://www.americanmicrowavecorp.com)  
 E-MAIL: [sales@americanmicrowavecorp.com](mailto:sales@americanmicrowavecorp.com)  
 ISO 9001:2000 CERTIFIED



APPROVALS		DATE	TITLE	
DRAWN		12/9/05	FUNCTIONAL BLOCK DIAGRAM	
CHECKED			SWM-DJV-1DT-2ATT	
ISSUED			OPTION: 108M12	
SIZE	FSCH. NO.	DWG. NO.	1.8-12 GHz, SINGLE POLE SINGLE THROW SWITCH	
A	60483	100-7563	-	
SCALE N:S			SHEET 3 OF 4	